

# MT5C/8C Series D56/D86mm Bulb Type Tower Light



Multi-layer tower light that features an outstanding vibration resistance and a long service life.



- Selectable Steady or Flashing Modes
- Prism-cut lenses for even light distribution
- Surface, Pole or Wall Mounted (Order poles & bases separately)
- Wire leads or Terminal connection
- Add-on Buzzer (80dB) kit available
- IP54 rated

## Optional Orders

### ► Buzzer kit

**M P Z 5 6 A**  
① ②

### 1. Buzzer Diameter

<b>56</b>	56mm (for MT5C Series)
<b>85</b>	86mm (for MT8C Series)

### 2. Power Supply

<b>A</b>	24VAC/DC
<b>B</b>	110-120VAC
<b>C</b>	220-240VAC

## Ordering Information

**MT5C 3 A L G B - RYG**

① ② ③ ④ ⑤ ⑥ ⑦

### 1. Lens Diameter & Light Style

<b>5C</b>	56mm diameter - Steady + Flashing + Buzzer
<b>8C</b>	86mm diameter - Steady + Flashing + Buzzer

### 2. Number of Stacks

<b>1</b>	1 Light
<b>2</b>	2 Lights
<b>3</b>	3 Lights
<b>4</b>	4 Lights
<b>5</b>	5 Lights

### 3. Power Supply

<b>A</b>	24VAC/DC
<b>B</b>	110-120VAC
<b>C</b>	220-240VAC

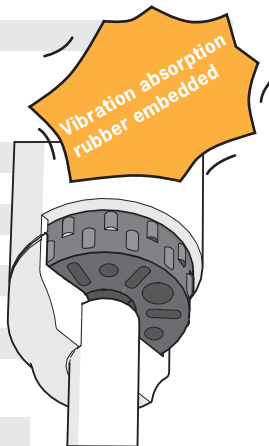
### 4. Connection

<b>L</b>	Lead Wires
----------	------------

### 5. Mounting

<b>G</b>	No Pole + Mount Base
<b>P</b>	Pole + Mount Base
<b>M</b>	Pole + Screw Type

The unique vibration absorbing structure using new material reduces vibration and impact from all machines and devices, greatly extending bulb life



### 6. Buzzer Options

	Non Buzzer
<b>B</b>	Buzzer (Maximum number of tier including Buzzer is 5.)

### 7. Lens Colors (top to bottom)

<b>R</b>	Red	<b>B</b>	Blue
<b>Y</b>	Yellow	<b>C</b>	Clear
<b>G</b>	Green		

## Specifications

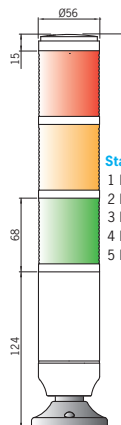
Power Supply	24V	110VAC	220VAC	
Current Draw	1 Light	0.4A	0.09A	0.04A
	2 Lights	0.8A	0.18A	0.08A
	3 Lights	1.3A	0.27A	0.12A
	4 Lights	1.7A	0.36A	0.16A
	5 Lights	2.0A	0.45A	0.2A
Buzzer		0.03A		

Functions	Steady + Flashing + Buzzer
Tiers	May be ordered as 1, 2, 3, 4 or 5 tiers
Lens Colors	Red / Yellow / Green / Blue / Clear
Protection	IP54 / IP50 (with Buzzer)
Sound Level	80±5dB at 1m
Flashing rate	80 times/minute (±10%)
Approvals	UL , CE , RoHS

## Dimensions < unit: mm >

### ► MT5C Series

#### Mount G type



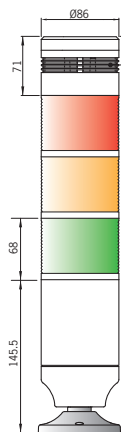
**Standard Type**  
1 Light - 207  
2 Light - 275  
3 Light - 343  
4 Light - 411  
5 Light - 479

**Buzzer Type**  
1 Light - 255  
2 Light - 323  
3 Light - 391  
4 Light - 459  
5 Light - 527

MAM-B070B

### ► MT8C Series

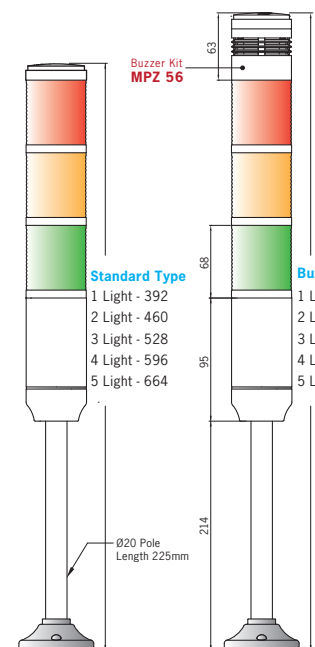
#### Mount G type



**Standard Type**  
1 Light - 284.5  
2 Light - 352.5  
3 Light - 420.5  
4 Light - 488.5  
5 Light - 556.5

MAM-B090B

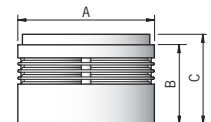
#### Mount P type



**Standard Type**  
1 Light - 392  
2 Light - 460  
3 Light - 528  
4 Light - 596  
5 Light - 664

**Buzzer Type**  
1 Light - 440  
2 Light - 508  
3 Light - 576  
4 Light - 644  
5 Light - 712

### ► Buzzer Kit



	MPZ 56	MPZ 85
<b>A</b>	56	86
<b>B</b>	48	50
<b>C</b>	54	56

## Replacement Parts

	Rated Voltage	Bulb
Bulb Type	24VAC/DC	24V 10W
	110-120VAC	120V 10W
	220-240VAC	240V 10W

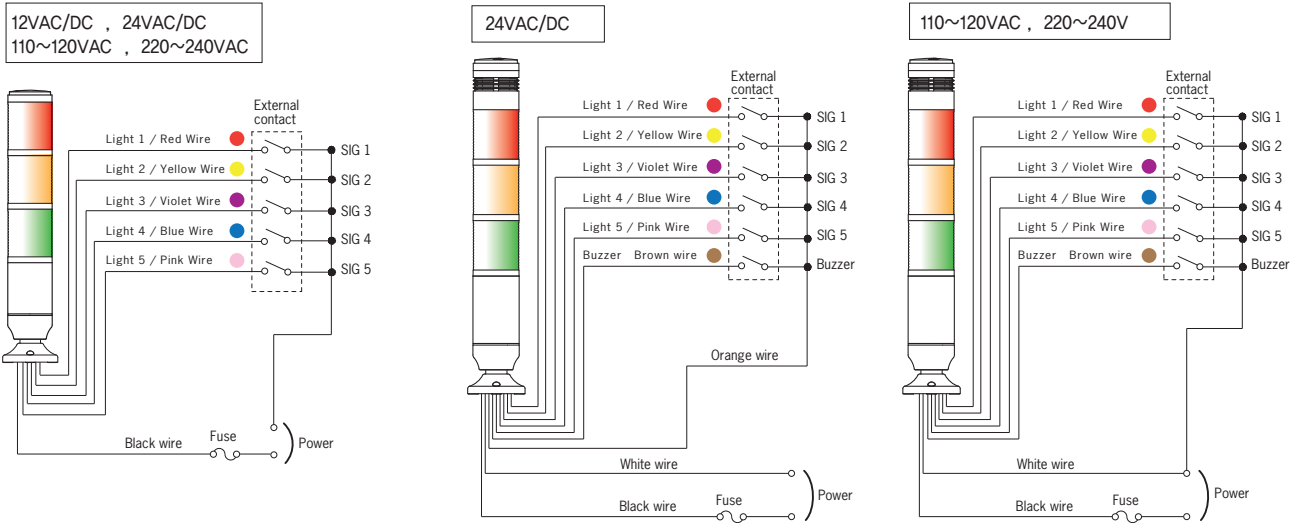
\* See page 54 for Replacement Bulbs product

See Page 56 ~ 58 for Mounting Options and Accessories.

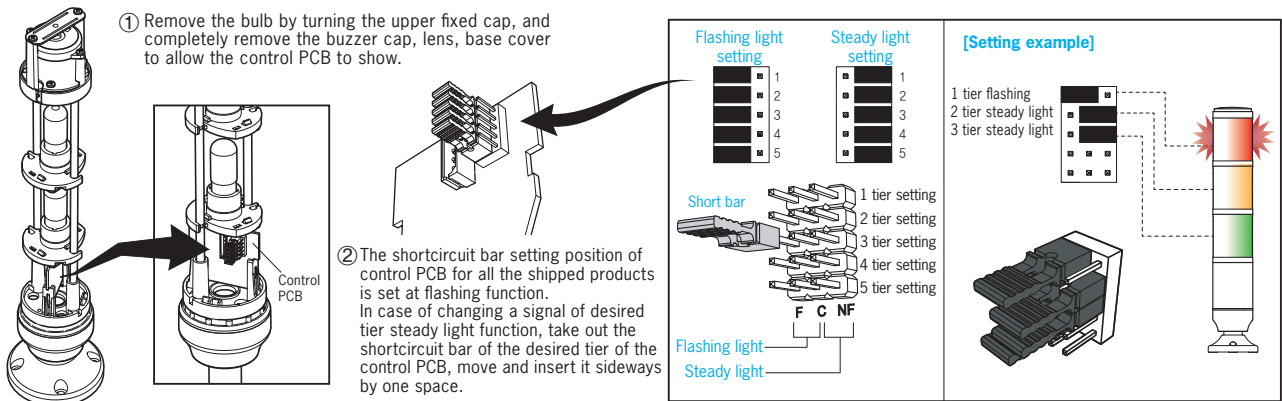
# MT5C/8C & 4B/5B/8B Series Wiring Diagram

## MT5C/8C Series

### ► Steady or Flashing Lights (with Buzzer)

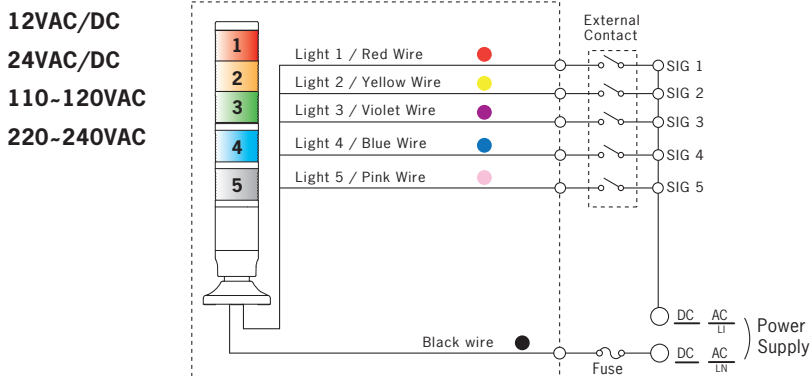


### ► MT5C/8C Series Steady/Flashing lights Changing Method



## MT4B/5B/8B Series

### ► Steady Lights



### MT4B-Bulb Replacement Method

Push to open the bulb housing fixed inside the mount groove using hands or tools. This allows easily replacing the bulb.

