



NJMC1 Pulse Relay

1. General

Contact switching current of up to 16A and 32A; a complete range of AC/DC specifications; NJMC1 pulse relay is a mechanical bistable relay that changes the contact state by inputting pulse signals.

2. Type designation

N JMC 1 - □ / □ □

N
JMC
1
-
/
□
□
□

Coil rated voltage :
AC:(12~380)V;
DC: (6~220)V.

Number of poles: 1P,2P,3P,4P

Contact capacity: 16:16A 32:32A

Design sequence No.

Pulse relay

Company code

3. Normal operating conditions and mounting conditions

Temperature range	-25℃~+55℃
Pollution degree	1
Mounting position	Any
Environmental protection category	Dustproof type
Overvoltage category	II

4. Technical data

4.1 Contact data

Contact form	1P, 2P, 3P, 4P	
Contact material	Silver alloy	
Contact load (resistive)	NJMC1-16:16A	NJMC1-32:32A
	250VC/28VDC	250VC/28VDC
Max. switching voltage	250VAC/125VDC	
Max. switching current	NJMC1-16:16A	NJMC1-32:32A
Max. switching power	NJMC1-16:4000VA 448W	NJMC1-32:8000VA 896W
Electrical life (times)	1 × 10 ⁵	
Mechanical life (times)	1 × 10 ⁶	

4.2 Specification data

Coil rated voltage VDC	Coil resistance (20℃)Ω ±10%
6	5
12	19
24	75
48	300
110	1600
127	2100
220	6031

Coil rated voltage VAC	Coil resistance (20℃)Ω ±10%
12	5.5
24	23.5
48	100
130	700
220	2000
230	2185
240	2380
380	6000

4.3 Characteristics data

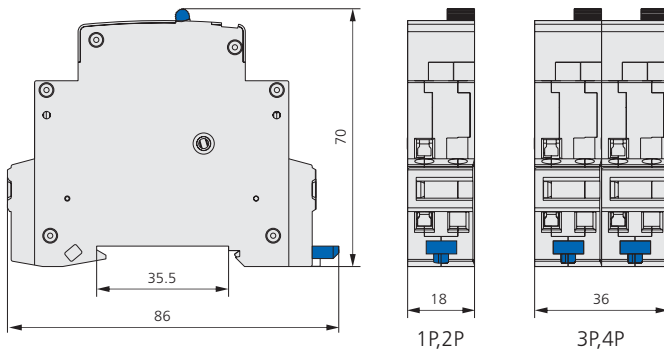
Insulation resistance	100MΩ(500VDC)	
Dielectric strength	Between contact & coil	1500VAC
	Between open contacts	1500VAC
Shock (resistance)	Acceleration: 100m/s ² , pulse duration: 11 ms	
Vibration	1 mm double amplitude, (10~55)Hz	
Mounting type	Rail type	
Overall dimensions (mm)	86×70	

4.4 Coil data

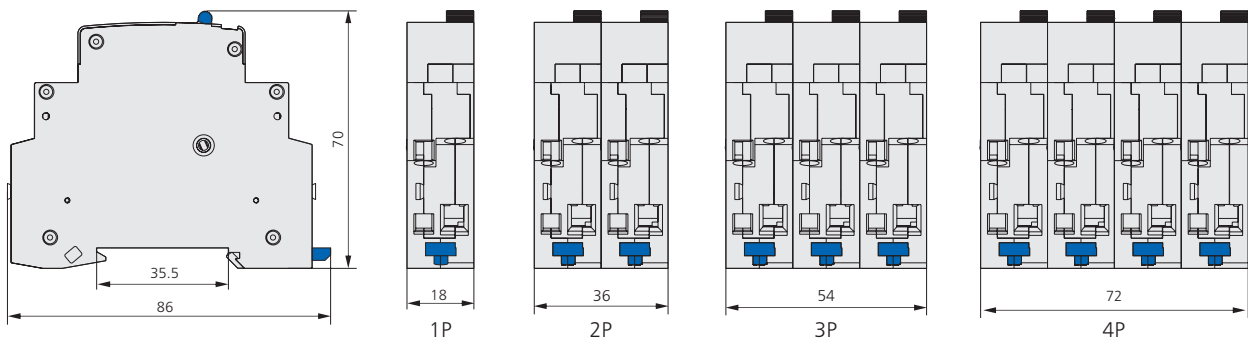
Pulse voltage duration	≥50ms (200ms is recommended)
Voltage range	(85%~110%)Un

5. Overall and mounting dimensions (mm)

NJMC1-16



NJMC1-32



Power Relay Socket Series

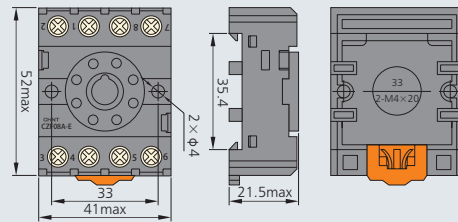
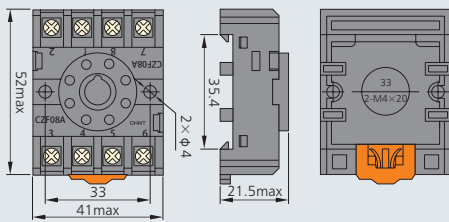
CZF08A

CZF08A-E(With finger safety protection)



52×41×21.5(mm)

52×41×21.5(mm)



Applicable relay type: JQX-10F/2Z, JTX-2C, JMK2P-I

Applicable relay type: JQX-10F/2Z, JTX-2C, JMK2P-I

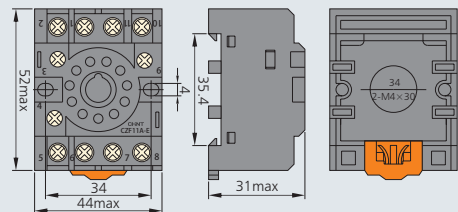
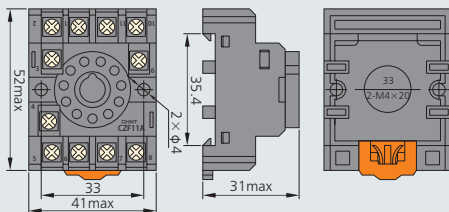
CZF11A

CZF11A-E(With finger safety protection)



52×44×31(mm)

52×44×31(mm)



Applicable relay type: JQX-10F/3Z, JTX-3C, JMK3P-I

Applicable relay type: JQX-10F/3Z, JTX-3C, JMK3P-I

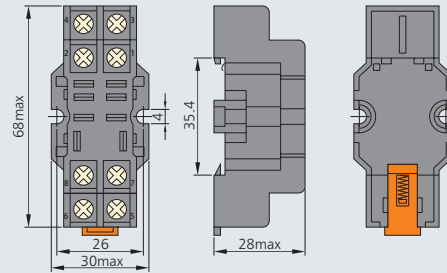
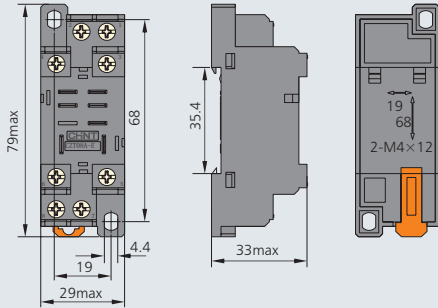
CZT08A-E(With finger safety protection)

CZT08B-01(Wide type, copper strip connection)



79×29×33(mm)

68×30×28(mm)



Applicable relay type: JQX-13F(B)/2Z,
NJX-13FW(B)/2Z, HH62P(-L), LY2(N)

Applicable relay type: JQX-13F(B)/2Z,
NJX-13FW(B)/2Z, HH62P(-L), LY2(N)

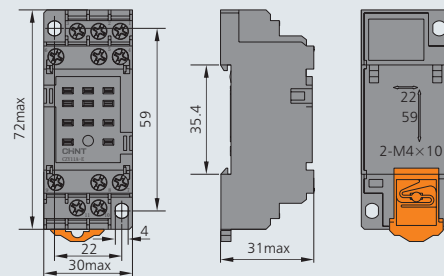
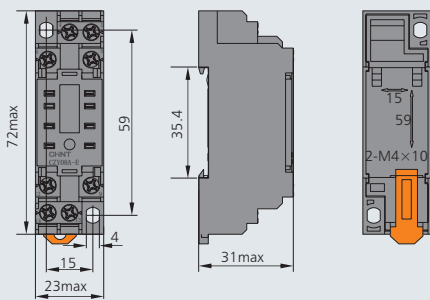
CZY08A-E(With finger safety protection)

CZY11A-E(With finger safety protection)



72×23×31(mm)

72×30×31(mm)



Applicable relay type: JZX-22F(B)/2Z,
NJX-13FW(B)/2ZS, HH52P(-L), MY2(N)

Applicable relay type: JZX-22F(B)/3Z, NJX-13FW(B)/3ZS,
HH53P(L), MY3(N)

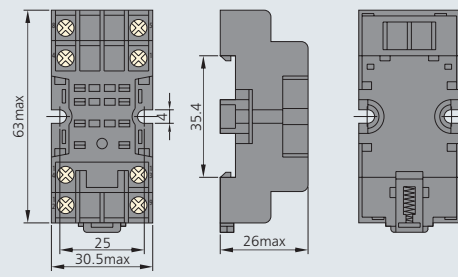
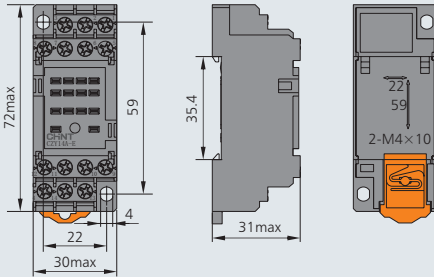
CZY14A-E(With finger safety protection)

CZY08B-01(Wide type, copper strip connection)



72×30×31(mm)

63×30.5×26(mm)



Applicable relay type: JZX-22F(B)/4Z, NJX-13FW(B)/4ZS, HH54P(L), MY4(N)

Applicable relay type: JZX-22F(B)/2Z, NJX-13FW(B)/2ZS, JZX-18F(L)/2Z, HH52P(L), MY2(N)

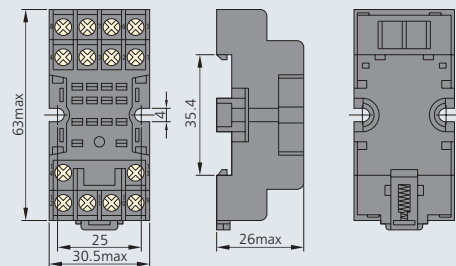
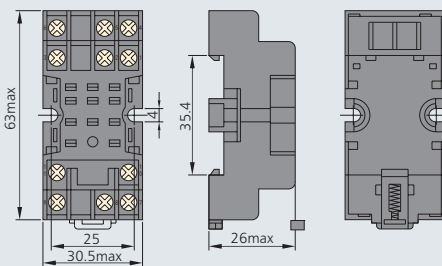
CZY11B (Copper strip connection)

CZY14B (Copper strip connection)



63×30.5×26(mm)

63×30.5×26(mm)



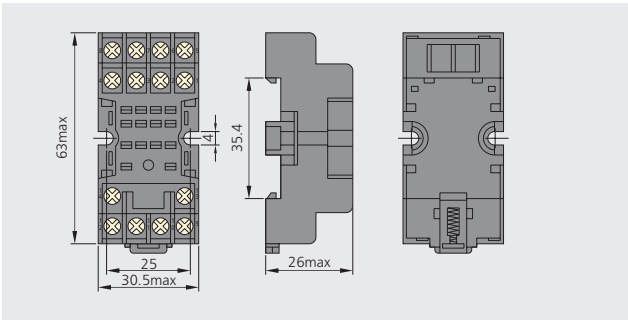
Applicable relay type: JZX-22F(B)/3Z, NJX-13FW(B)/3ZS, HH53P(L), MY3(N)

Applicable relay type: JZX-22F(B)/4Z, NJX-13FW(B)/4ZS, HH54P(L), JZX-18F(L)/4Z, MY4(N)

CZY14B-E (With finger safety protection, copper strip connection)



63×30.5×26(mm)



Applicable relay type: JZX-22F(B)/4Z, NJX-13FW(B)/4ZS, HH54P(L) , JZX-18F(L)/4Z, MY4(N)

NG102 **NG103**



Applicable relay type: CZY□A series、CZT□A series



Applicable relay type: CZY□B series、CZT□B series